

**M**  
**CRANE  
SYSTEMS**

mercan Makina Ve Sanayi Ürünleri İç Ve Dış Tic. Ltd. Şti.



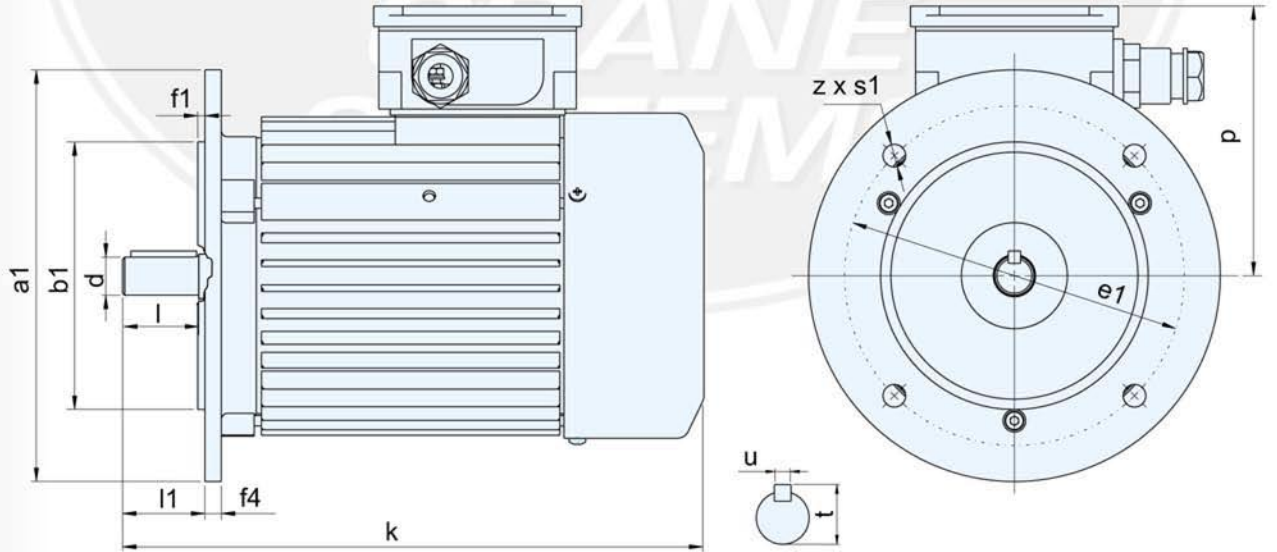
# Motor Kataloğu ABE serisi

[www.mercanvinc.com.tr](http://www.mercanvinc.com.tr)

Teknik Bilgiler 380V, 50Hz / Technical data at 380V, 50Hz

Güç Power kW	Tip Type	Devir sayısı Speed of revolution min <sup>-1</sup>	Çalışma zamanı Duty cycle		Akım Current A	Kalkış momenti Starting torque Nm	Fren momenti Braking torque Nm	Ağırlık Weight kg
			CD %	SF h <sup>-1</sup>				
0,37	ABE 71-4	1250	40	240	1,5/2,6	7,65	2,3 ÷ 3,0	15,5
0,55	ABE 80-4	1350	40	240	1,8/3,1	10,0	3,6 ÷ 4,1	14,5
0,75	ABE 80P4	1360	40	240	2,2/3,8	14,0	4,4 ÷ 5,2	15
1,1	ABE 90-4	1380	40	240	2,9/5,0	15,0	6,8 ÷ 7,8	21
1,5	ABE 90P4	1410	40	240	4,3/7,5	30,0	9,0 ÷ 10,0	24
2,2	ABE 100-4	1380	40	240	5,5/9,5	35,0	13,5 ÷ 15,5	32
3,0	ABE 100P4	1380	40	240	7,1/12,1	46,0	19,0 ÷ 21,5	36,5
0,06/0,18	ABE 71-12/4	450/1440	10/40	240	1,4/1,2	3,8/3,8	0,8 ÷ 1,0	14,5
0,12/0,37	ABE 80-12/4	440/1390	20/40	240	1,4/1,4	4,5/4,0	2,4 ÷ 2,8	14,5
0,18/0,55	ABE 80P12/4	440/1400	20/40	240	1,9/1,75	7,2/7,2	3,6 ÷ 4,1	15
0,25/0,75	ABE 90-12/4	430/1410	20/40	240	2,5/2,1	9,0/9,0	4,9 ÷ 5,7	21
0,37/1,1	ABE 90P12/4	420/1410	20/40	240	3,5/3,5	13,5/13,5	6,8 ÷ 7,8	24
0,5/1,5	ABE 100-12/4	420/1410	20/40	240	4,7/4,5	17,0/23,0	9,3 ÷ 10,7	32
0,75/2,2	ABE 100P12/4	420/1410	20/40	240	6,6/6,8	25,0/33,0	13,5 ÷ 15,5	36,5

Genel boyutları / Overall dimensions



Tip Type	Boyutlar / Dimensions										Çıkış mili / Shaft		
	a1	b1	e1	f1	f4	k	l1	p	z x s1	d	t	u	
ABE 71	160	110	130	3,5	8	235	30	140	4 x 9	14	16	5	
ABE 80 ABE 80P	200	130	165	3,5	8	283	40	131	4 x 11	19	21,5	6	
ABE 90 ABE 90P	200	130	165	3,5	10	307 337	50	126	4 x 11	24	27,3	8	
ABE 100 ABE 100P	250	180	215	4,0	10	400 420	60	156	4 x 13	28	31	8	





**M**  
**CRANE  
SYSTEMS**

**mercan**

Makina ve Sanayi Ürünleri İç ve Dış Ticaret Ltd.Şti.

Doğan Araslı Bulvarı, Fatih San. Sit. C-3 Blok No:30 Esenyurt - İstanbul-TÜRKİYE

Tel: + 90 (212) 428 62 30 - 31 - 32 • Faks: + 90 (212) 428 63 28

e-mail: [info@mercanvinc.com.tr](mailto:info@mercanvinc.com.tr) • [www.mercanvinc.com.tr](http://www.mercanvinc.com.tr)

[www.mercanmakina.com.tr](http://www.mercanmakina.com.tr) • [www.mcranesystems.com.tr](http://www.mcranesystems.com.tr)

[www.mercanvinc.com.tr](http://www.mercanvinc.com.tr)